



Receiver Module : RWS-371-6 (433.92 MHZ)

- \*Frequency Range: 433.92 MHZ
- \*Modulate Mode: ASK
- \*Circuit Shape: LC
- \*Data Rate: 4800 bps
- \*Selectivity: -106 dB
- \*Channel Spacing: 1MHZ
- \*Supply Voltage: 5V
- \* High Sensitivity Passive Design.
- \*Simple To Apply with Low External Count.



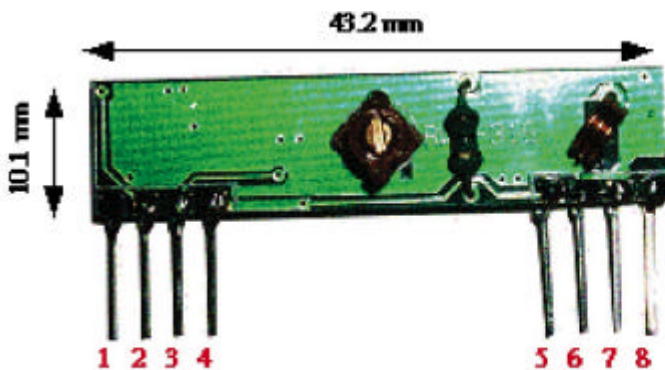
DC Characteristics :

Symbol	Parameter	Conditions	Min.	Typ.	Max.	Unit
Vcc	Operating Supply Voltage		4.9	5	5.1	
I Tot	Operating Supply Voltage			4.5		
V Data	Data Out	1 Data = +200 uA ( High )	Vcc -0.5	Vcc		V
		1 Data = -10 uA ( Low )			0.3	V

Electrical Characteristics :

Characteristics	Sym.	Min.	Typ.	Max.	Unit
Operating Radio Frequency	FC	433.72	433.92	434.12	MHZ
Sensitivity	Pref.			-106	dBm
Channel Width		-500		+ 500	KHZ
Noise Equivalent BW	NEB		5	4	KHZ
Baseboard Data Rate				3	KB/S
Receiver Turn On Time				3	ms

Application Note:

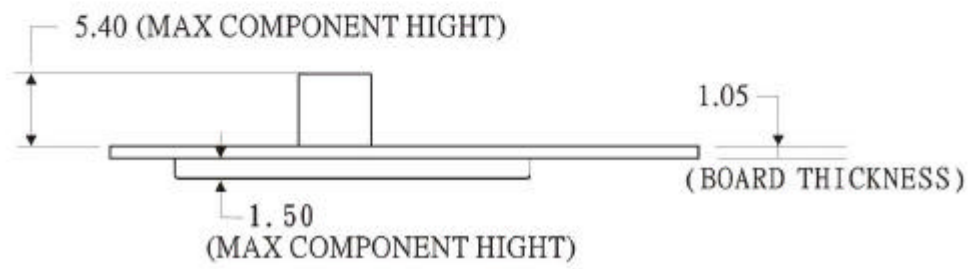
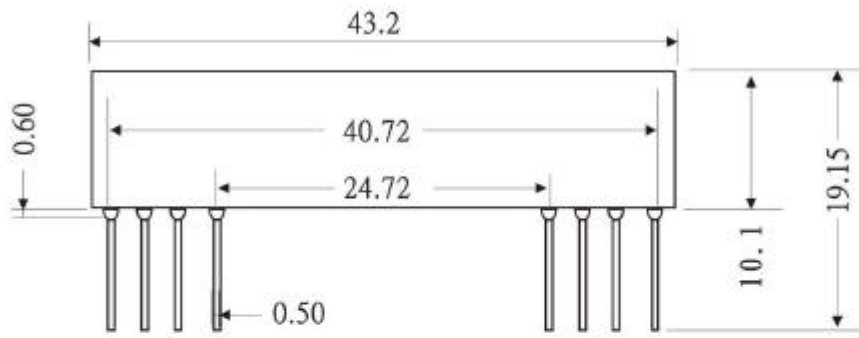


- pin 1 : Gnd
- pin 2 : Digitak Output
- pin 3 : Linear Output
- pin 4 : Vcc
- pin 5 : Vcc
- pin 6 : Gnd
- pin 7 : Gnd
- pin 8 :ANT ( About 30 - 35 cm )

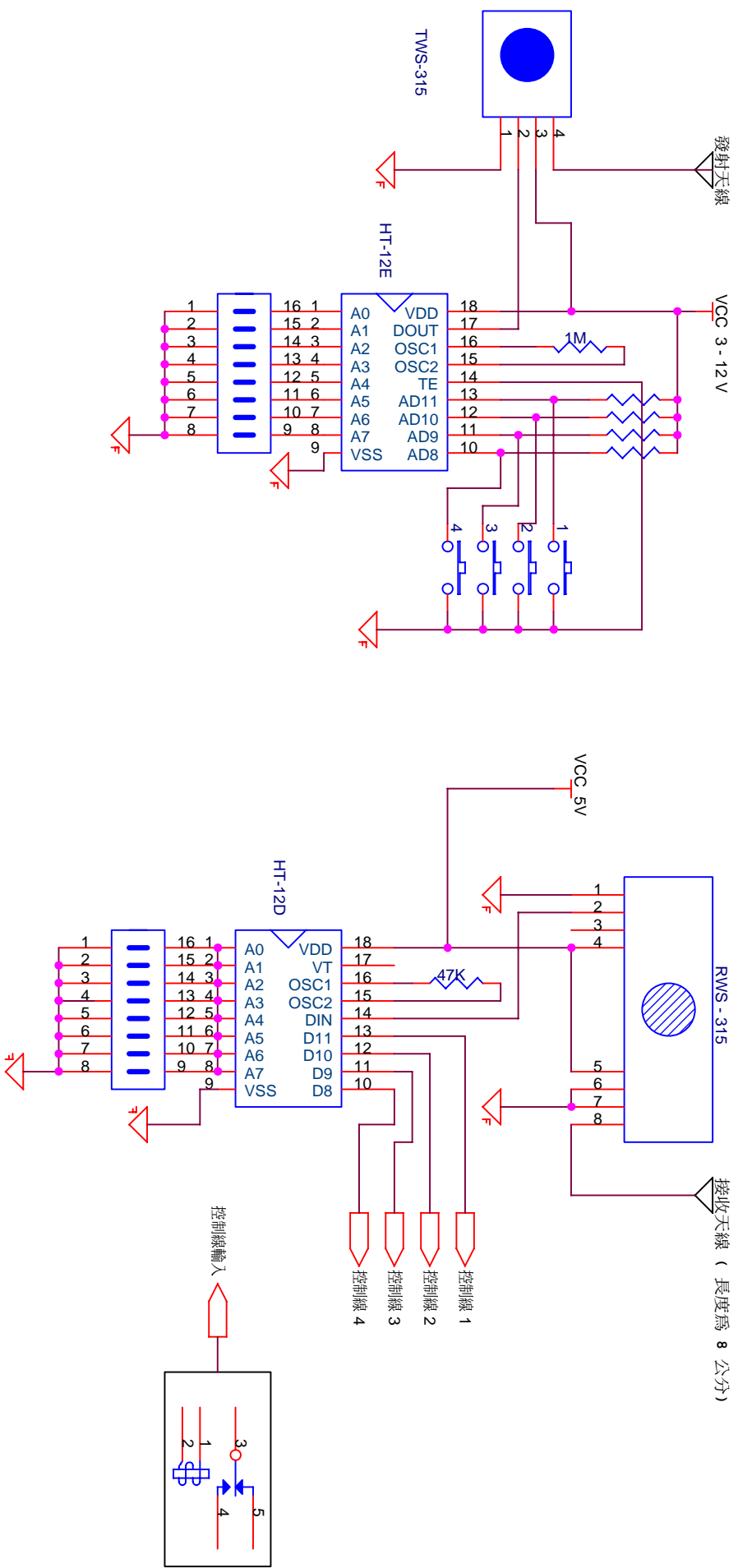
Modulation : AM  
 Supply Voltage : 5v dc

RWS-371

UNIT:mm



# 示範電路圖



Title		<Title>
Size		Document Number
Date:		<Doc>
Rev		
Sheet		1 of 1
RevCodes		