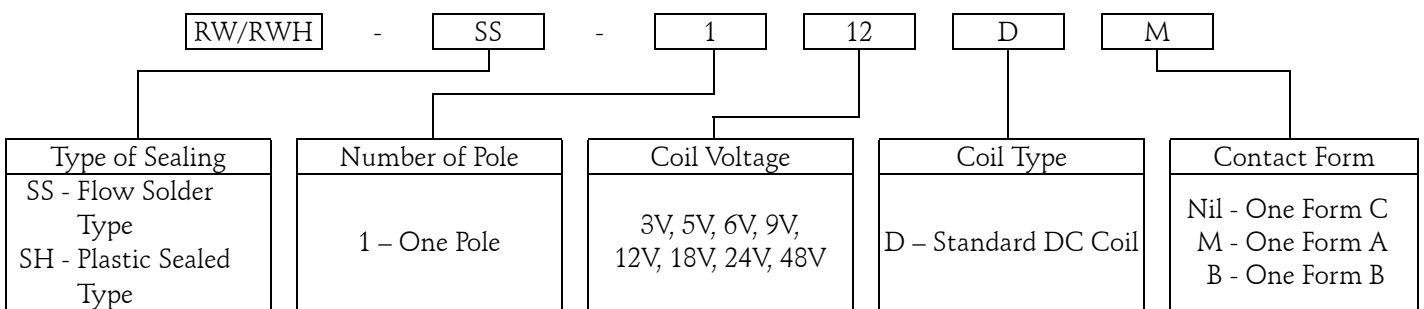


Coil Specification (at 20°C)

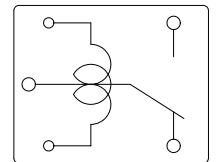
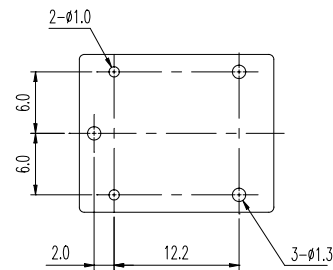
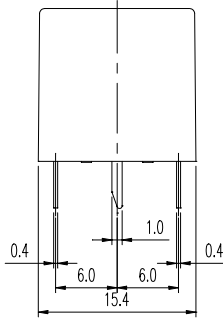
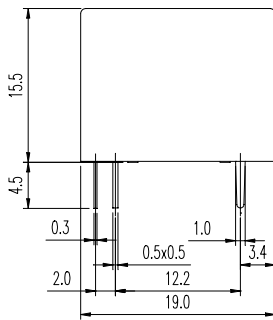
Coil Sensitivity	Nominal Voltage (VDC)	Nominal Current (mA)	Coil Resistance ($\Omega \pm 10\%$)	Power Consumption (W)	Pull-In Voltage (VDC)	Drop-Out Voltage (VDC)	Maximum Allowable Voltage (VDC)
RW/RWH	3	120	25	Abt. 0.36	75% Maximum	5% Minimum	130%
	5	73	70				
	6	60	100				
	9	40	225				
	12	30	400				
	18	20	900				
	24	15	1,600				
	48	7.5	6,400	Abt. 0.45	80% Max.		

Ordering Information:



Dimension:

RW-SS/SH
 RWH-SS/SH



BOTTOM VIEW

BOTTOM VIEW

Reference Data:

